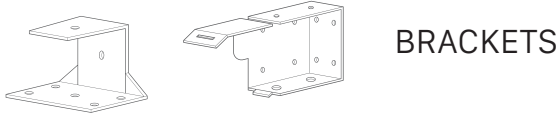




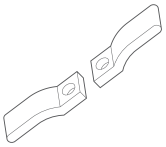
Fauxwood Venetian Blinds
Installation & Operation Instructions

YOU SHOULD HAVE

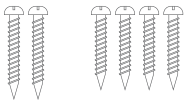
PERFECT FIT ITEM LIST



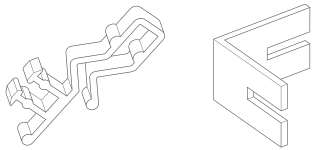
BRACKETS



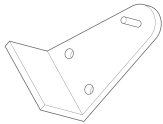
SAFETY DEVICE



WOOD SCREWS
(2 PER BRACKET)

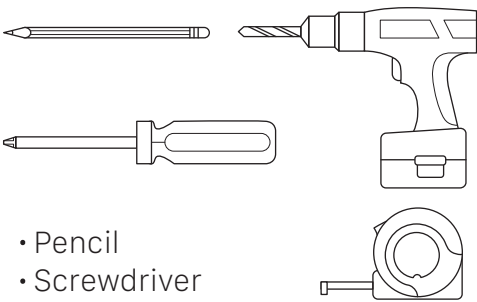


VALANCE &
RETURN CLIPS



HOLD-DOWN
BRACKET (X2)

TOOLS REQUIRED

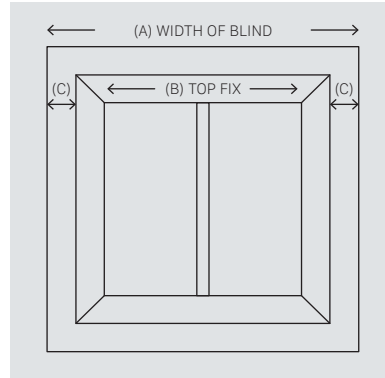


- Pencil
- Screwdriver
- Power-Drill
- Tape Measure

THE INSTALLATION OF THIS PRODUCT SHOULD BE CONDUCTED BY SOMEONE COMPETENT IN DIY.

STEP 1

FITTING THE BOX BRACKETS (1/3)



Outside Recess

If the blind is to be mounted outside the window, ensure that the measurement C is consistent. Follow the instructions for FACE FIXING. Calculate C using the formula: $C = (A - B) / 2$.

Inside Recess

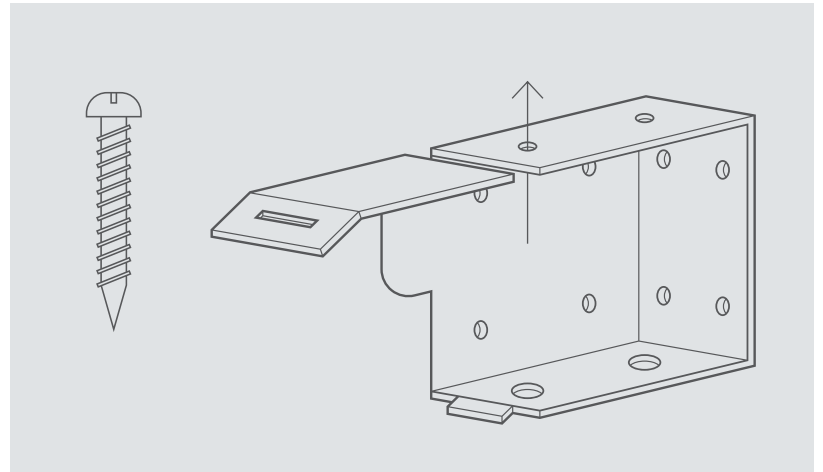
Use TOP FIX to attach to the lintel or FACE FIX brackets to mount onto the window frame.

WARNING: CHILDREN CAN BE STRANGLERED IF A SAFETY DEVICE IS NOT INSTALLED. ALWAYS USE A SAFETY DEVICE TO KEEP CORDS AND CHAINS OUT OF CHILDREN'S REACH.

STEP 2

FITTING THE BOX BRACKETS (2/3)

THE INSTALLATION HEIGHT OF THIS BLIND MUST NOT BE LESS THAN 1500MM FROM THE FLOOR.

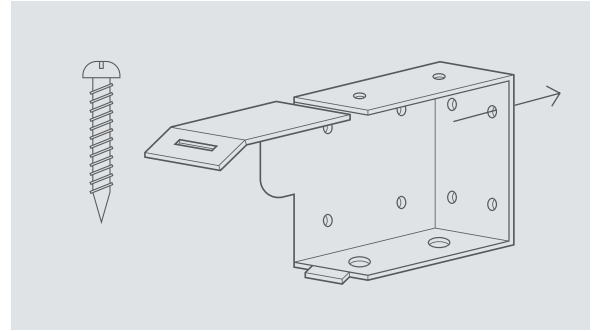


Top Fixing

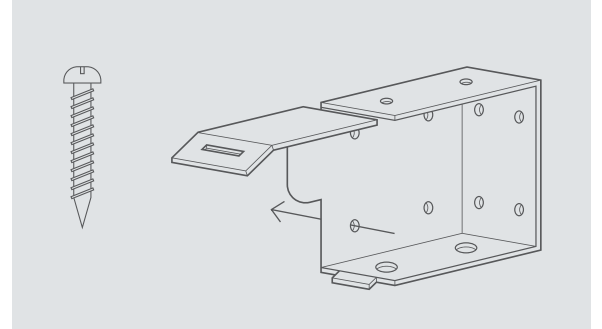
Measure and mark the distance from the wall to the back of the bracket, taking into account any obstructions such as handles that protrude into the recess. Position the brackets so they are 6mm wider than the blind on each side. Hold each bracket in place and mark the screw hole positions. Secure the brackets using the provided screws, ensuring the fixings are appropriate for the wall or surface where the brackets are being mounted.

Face Fixing

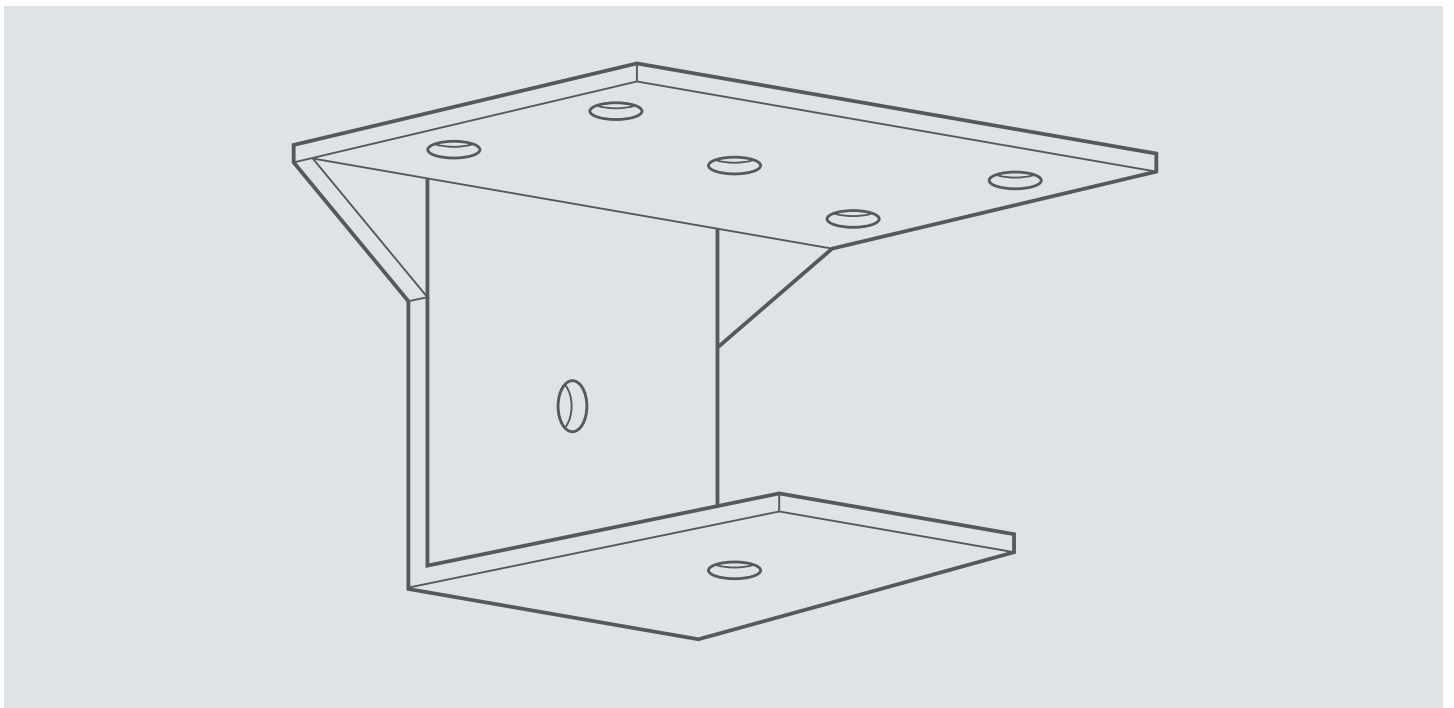
Position the brackets so they are 6mm wider than the blind on each side. Hold each bracket in place and mark the screw hole positions. Secure the brackets using the provided screws, ensuring the fixings are suitable for the wall or surface being used.

**Side Fixing**

Hold each bracket in position and mark the screw hole locations. Use the provided screws to secure the brackets, making sure the fixings are appropriate for the mounting surface.

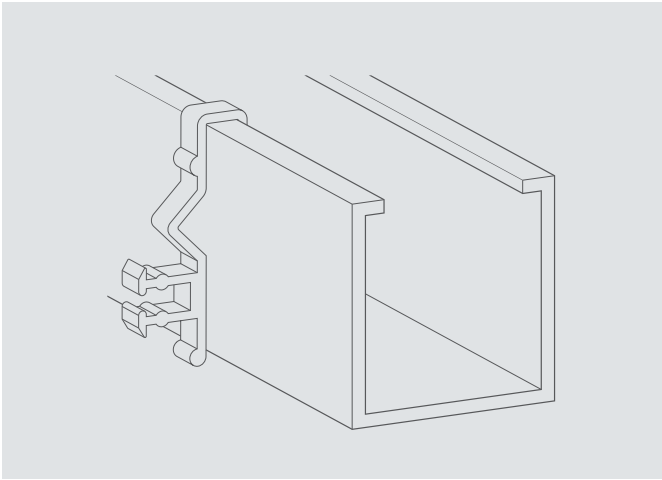
**STEP 3****FITTING THE BOX BRACKETS (3/3)****Support Bracket**

For wider blinds, a support bracket is necessary. Before installation, align the top of the support bracket with the top of the mounting bracket. Ensure the larger flap of the support bracket faces upwards. Position the support brackets evenly along the width of the headrail, avoiding interference with the slat ladder positions. Secure them firmly in place.



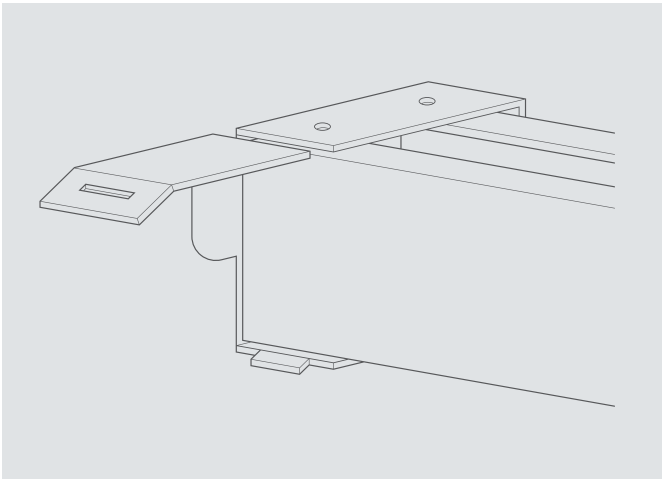
STEP 4

FITTING THE HEADRAIL



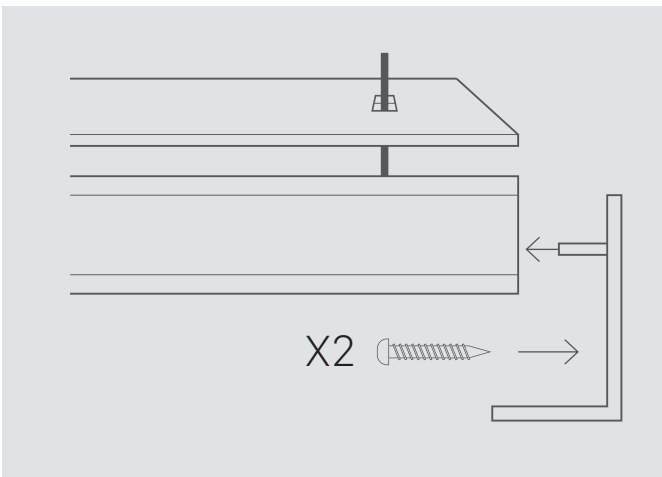
Valance Clip

Hook the valance clips evenly along the length of the headrail, prior to installing the blind in the brackets.



Number of ladders	End fix brackets	Support Brackets (supplied)
2	2	2
3	2	1
4	2	1
5	2	2
6	2	3
7	2	3
8	2	4
9	2	4

Open the gate of the box brackets and slide the headrail into position then snap the brackets closed.

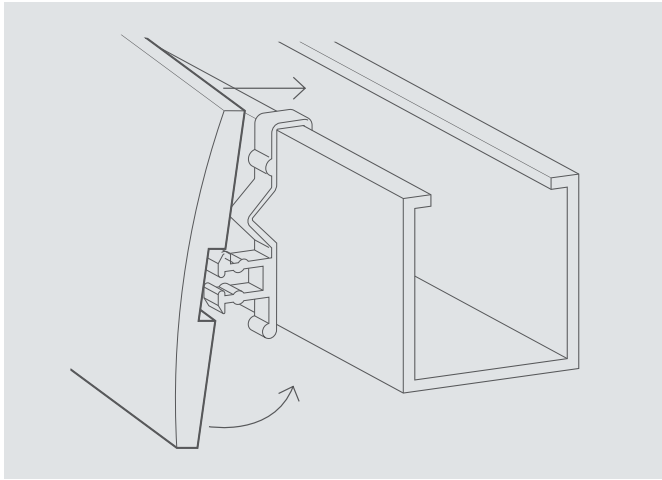


Hold Down Bracket (Optional)

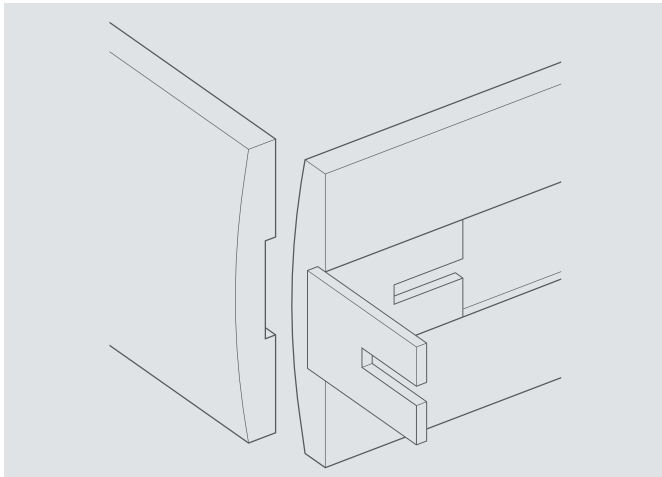
Hold down brackets using two small screws, screw hold down bracket to window facing or wall. Snap bracket pin ends into the hole at bottom rail end.

STEP 5

ATTACHING THE VALANCE



Engage the top leg of the valance clip into the groove on the back of the valance. Push the valance towards the headrail to secure the bottom leg into place.



Hold Down Bracket (Optional)

If your blind includes valance returns, slide the valance return clip onto the valance. Attach the other end of the valance clip to the valance return and align the edges for a seamless finish.

STEP 5

INSTALLING CHILD SAFETY DEVICE

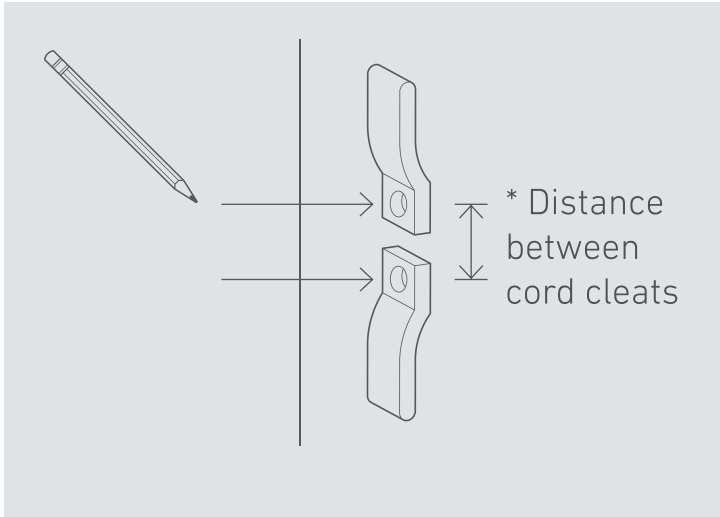
Drop of Blind	*Distance between cord cleats (centre to centre)
1-1000mm	100mm
1001-2000mm	150mm
2001-3000mm	300mm

Safety Device

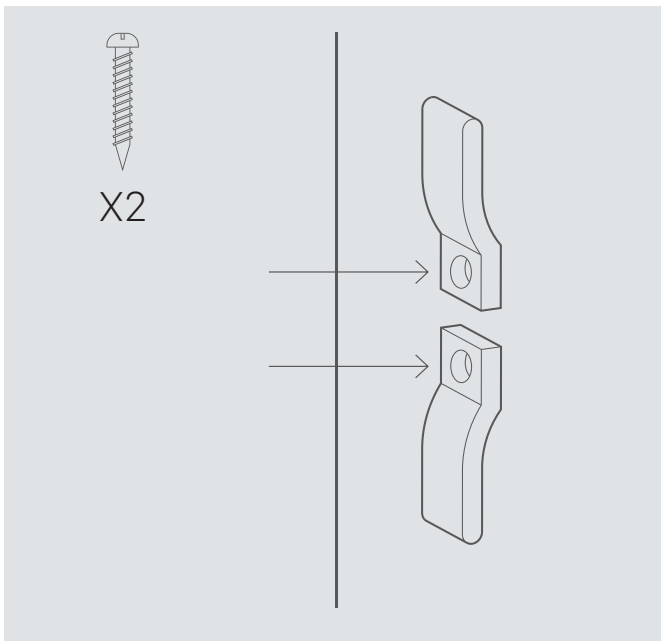
Cord safety cleat - The safety cleat shall be installed as close to the headrail as possible and in all cases not less than 1500mm from the floor.

The Cord must be fully accumulated around the safety cleat(s) when the blind is not in use.

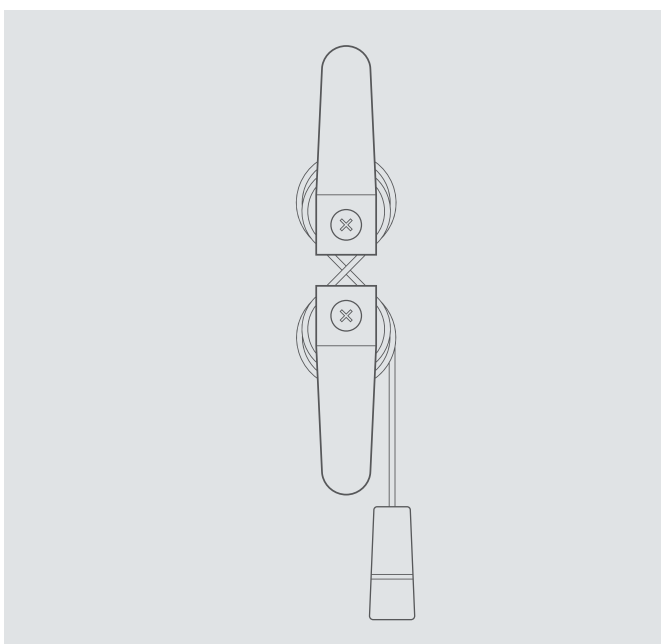
Use the table below to determine the distance required between the cleats to fully accumulate the cords when the blind is fully raised.



Position the safety cleat in the desired location on the wall and mark the hole positions with a pencil.
(Note: For cords up to 2.8mm thick, the cleat can accommodate a total of 17m of cord.)

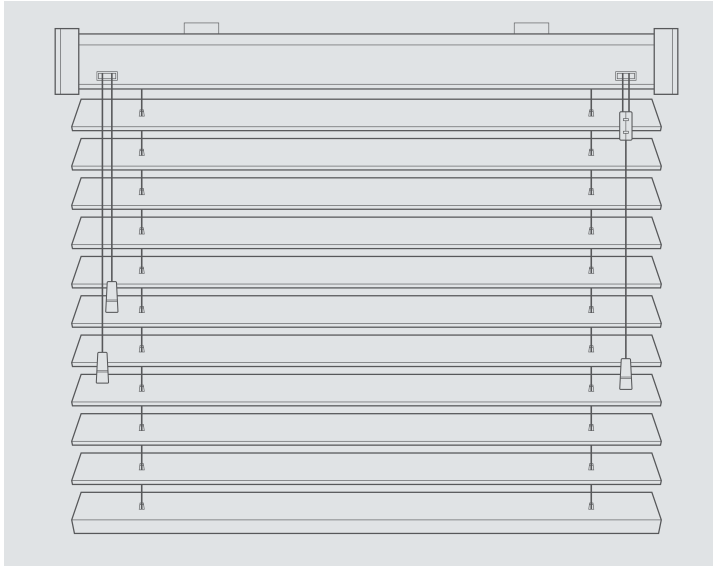


Secure the safety cleat to the wall using the screws provided.



Wrap the cords around the cleat in a figure-eight pattern. Once fully wrapped, ensure the cords are secured to prevent any excess from being released when pulled.

OPERATION INSTRUCTIONS



TILT OPERATION

To tilt blind: Pull on required tilt cord tassel to tilt slats to the open/closed position.

Tilt blind horizontal before raising/lowering to extend the life of the blind.

To lower blind: Move lift cord towards middle of the blind pulling down gently until cord lock releases.

To raise blind: Pull lift cord downward until blind reaches desired height.

To lock cords: Pull lift cord towards the outside of the blind and release. Cord will lock automatically.

MAINTENANCE

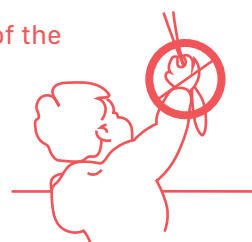
The product is maintenance free however we recommend that regular visual checks are completed to ensure that no components have been damaged, which could result in operating difficulties and/or cause a safety risk. If any maintenance is required we recommend that the work is carried out immediately, by a reputable blind company.

WARNING

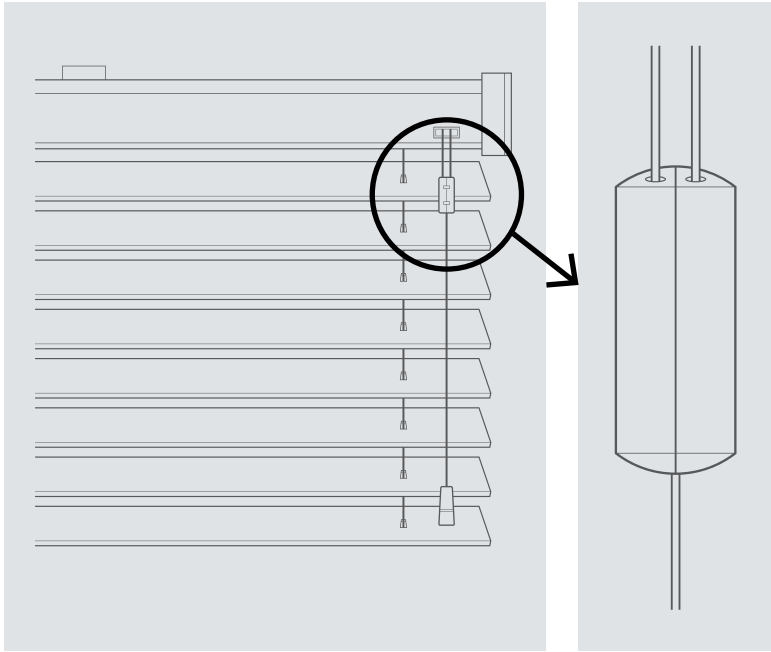
Young children can be strangled by loops in pull cords, chains, tapes and inner cords that operate the product.

To avoid strangulation and entanglement, keep cords out of the reach of young children. Cords may become wrapped around a child's neck. Move beds, cots and furniture away from window covering cords.

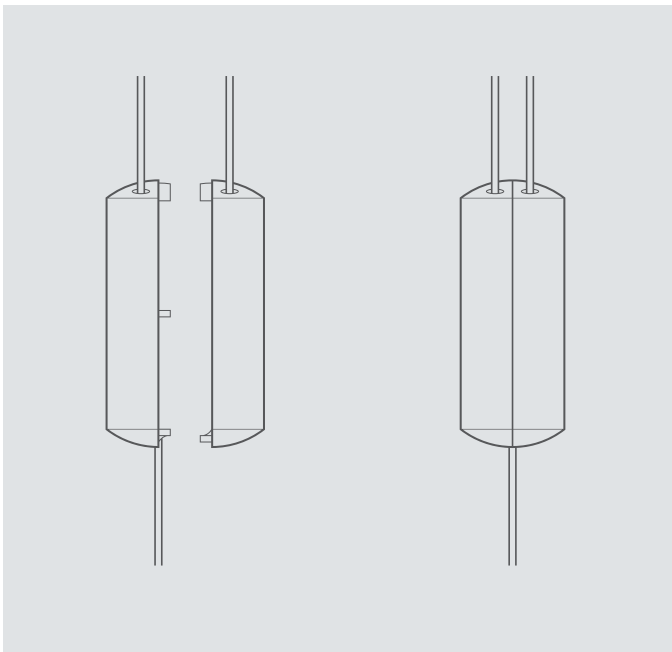
Do not tie cords together. Make sure cords do not twist and create a loop.



BREAKAWAY CORD CONDENSER (OPTIONAL)



The breakaway cord condenser comes pre-installed on the lift cords and is designed to safely disconnect under horizontal force, effectively removing any hazardous loops.



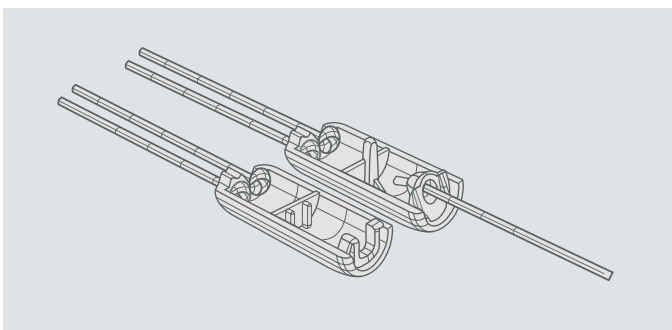
If the cord condenser is pulled apart:

Untangle and untwist cords.

For 2 cords: Press the cord condenser together until it is fully closed.

For 3 cords: Place the loose cord in the opening in one half of the cord condenser and press the cord condenser together until it is fully closed.

For 4 cords: Place one of the loose cords in the opening in one half of the cord condenser, the remaining loose cord in the opening in the other half and press the cord condenser together until it is fully closed.



If there are any doubts that the cord condenser has not been re-attached correctly it can be tested by placing your arm between the cords and pressing downwards. The condenser should break apart with minimal force, if it does not breakaway tie cords out of reach of children and contact a reputable blind company to repair the blind.