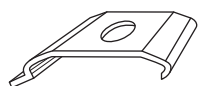




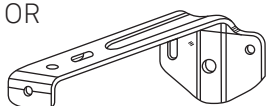
Vertical Blinds
Installation & Operation Instructions

YOU SHOULD HAVE

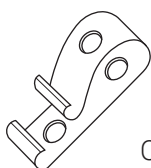
PERFECT FIT ITEM LIST



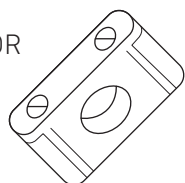
OR



BRACKETS



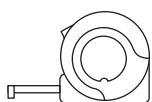
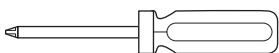
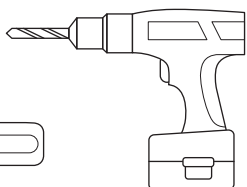
OR



SAFETY DEVICES

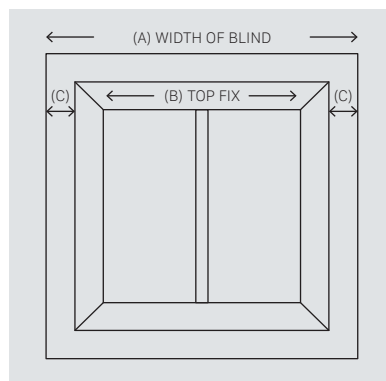
- 2 - Piece Cleat
- Cord & Chain Tidy

TOOLS REQUIRED



- Pencil
- Screwdriver
- Power-Drill
- Tape Measure

STEP 1



Outside Recess

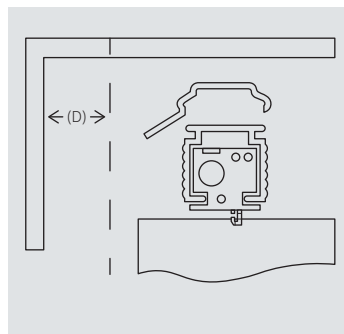
If the blind is to be mounted outside the window, ensure that the measurement C is consistent. Follow the instructions for FACE FIXING. Calculate C using the formula: $C = (A - B) / 2$.

Inside Recess

Use TOP FIX to attach to the lintel or FACE FIX brackets to mount onto the window frame.

WARNING: CHILDREN CAN BE STRANGLERED IF A SAFETY DEVICE IS NOT INSTALLED. ALWAYS USE A SAFETY DEVICE TO KEEP CORDS AND CHAINS OUT OF CHILDREN'S REACH.

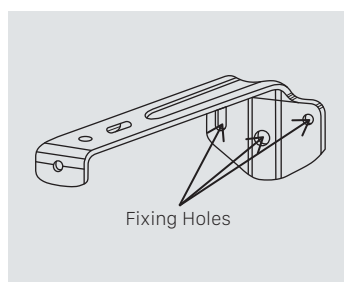
STEP 2



Top Fixing

Measure and mark the distance (D), accounting for any obstructions such as handles that extend into the recess. Position the brackets approximately 5cm from each end of where the headrail will be placed. For blinds requiring more than two brackets,

install the additional brackets evenly across the length of the blind. Ensure the fixings are appropriate for the wall or surface being used.



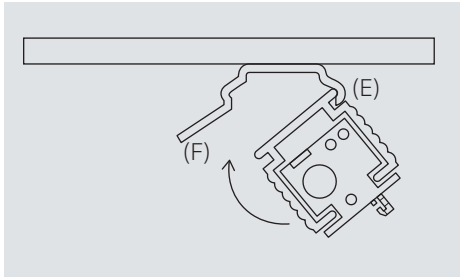
Face Fixing

Position the brackets approximately 5cm from each end of the headrail's placement. For blinds that require more than two brackets, space the additional brackets evenly across the blind's length. Ensure that

the fixings are suitable for the wall or surface where the brackets will be mounted.

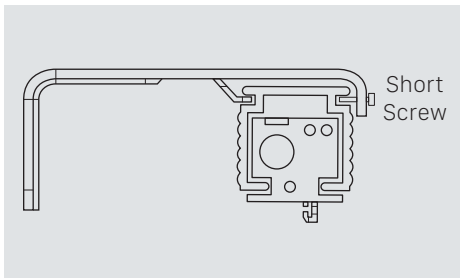
THE INSTALLATION OF THIS PRODUCT SHOULD BE CONDUCTED BY SOMEONE COMPETENT IN DIY.

STEP 3



Top Fixing

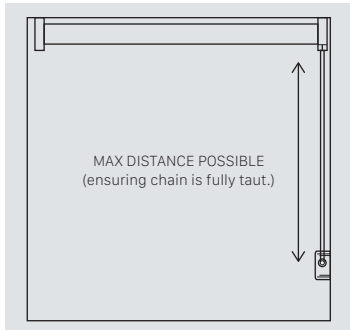
Tilt and hook the headrail into the bracket at point (E), then rotate it into place until it clicks. To remove the headrail, press the bracket at point (F).



Face Fixing

Hook the back of the headrail into the bracket and rotate it into position. Secure the headrail by tightening the short screw located at the front of the bracket.

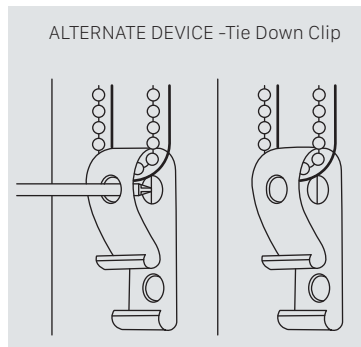
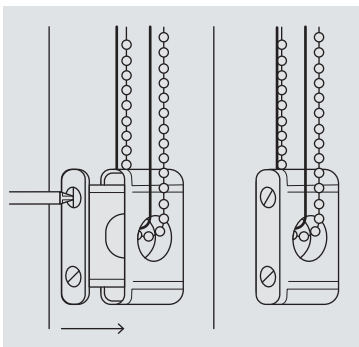
STEP 4



Safety Device

Install the safety device as far as possible from the control mechanism to keep the looped chain taut and prevent slack. Position the device on the wall and mark the locations of the two screw holes. Drill the holes using an appropriate drill bit, then secure the device in place, ensuring the chain is fully taut.

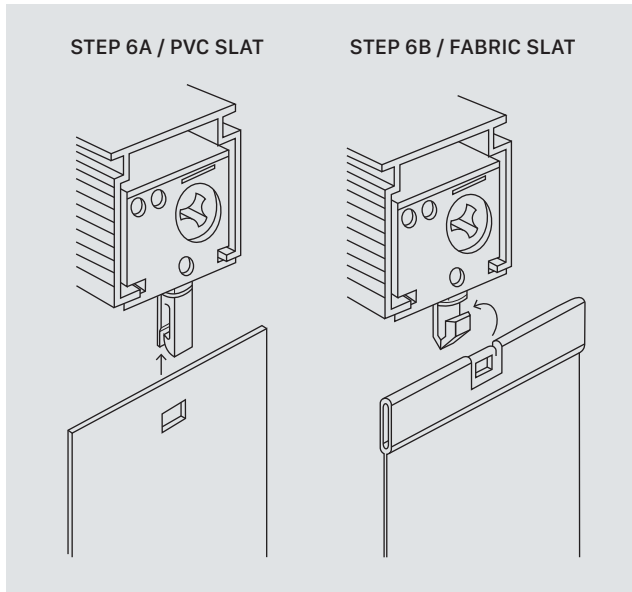
STEP 5



Retaining Device

As with the safety device, the retaining device must also be installed at the maximum possible distance from the control mechanism to prevent the looped chain from becoming slack. Position the device on the wall, mark the screw hole locations, and drill accordingly. Secure the device firmly in place, ensuring the chain remains taut.

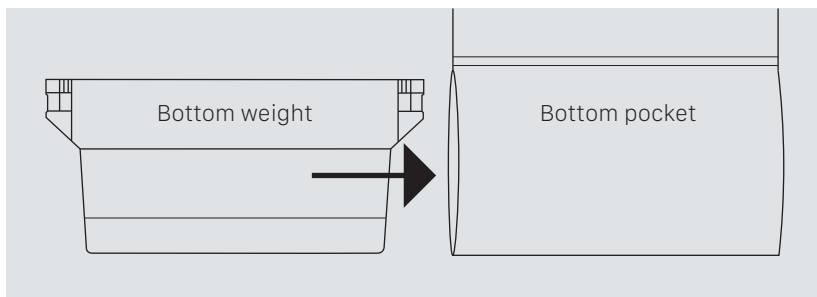
STEP 6



Attaching a Vertical Vane

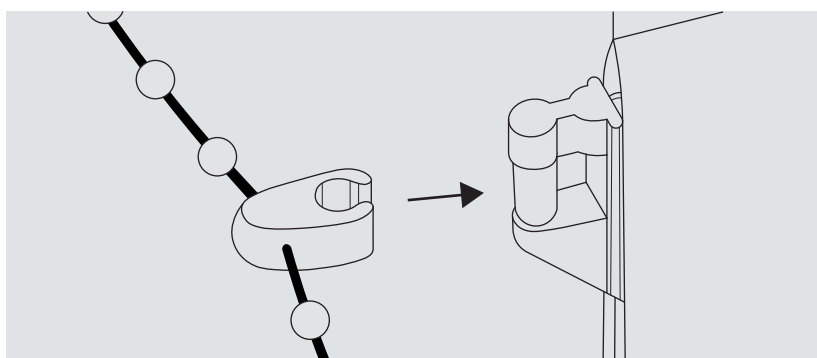
Once the headrail is installed, hook each fabric or PVC slat into the headrail travelers, ensuring the traveler pegs are in the open position.

STEP 6



Bottom Weights

Place the bottom weights into the bottom pockets of each vertical vane.



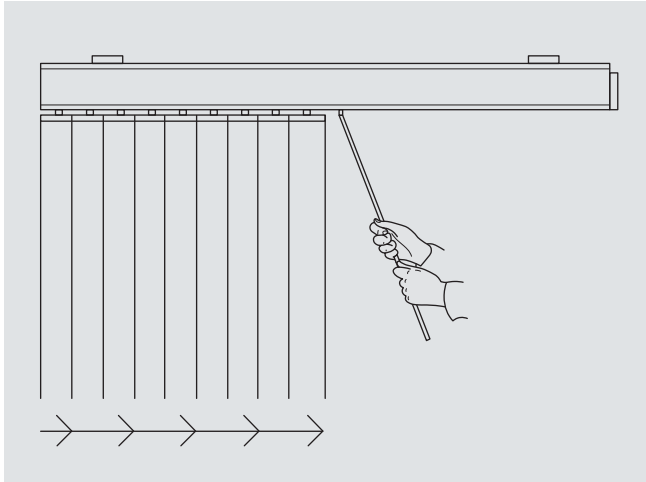
Stabilizing Chain

Attach the stabilizing chain by connecting its clips to the ears of each bottom weight. Ensure the chain is secured on both sides of the blind.

OPERATION INSTRUCTIONS

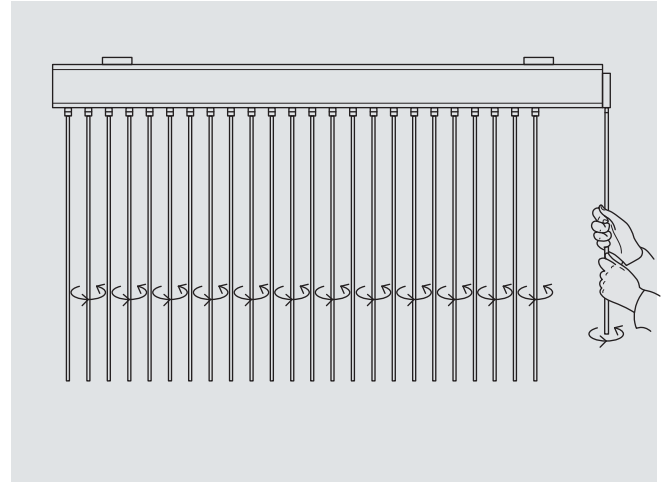
WAND OPERATION - DRAW

Use the wand to slide the slats to one end of the blind.



WAND OPERATION - TILT

Rotate the wand to adjust the slats to the desired open or closed position.



If any slats are misaligned, rotate the wand until the slats are fully closed. Continue twisting until all slats are aligned correctly.

You may encounter some resistance and hear a clicking sound during the process.

OPERATING YOUR BLIND

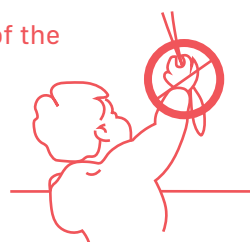
The product is maintenance free however we recommend that regular visual checks are completed to ensure that no components have been damaged, which could result in operating difficulties and/or cause a safety risk. If any maintenance is required we recommend that the work is carried out immediately, by a reputable blind company.

WARNING

Young children can be strangled by loops in pull cords, chains, tapes and inner cords that operate the product.

To avoid strangulation and entanglement, keep cords out of the reach of young children. Cords may become wrapped around a child's neck. Move beds, cots and furniture away from window covering cords.

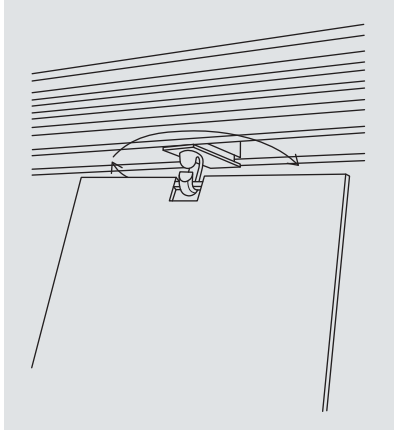
Do not tie cords together. Make sure cords do not twist and create a loop.



make it safe

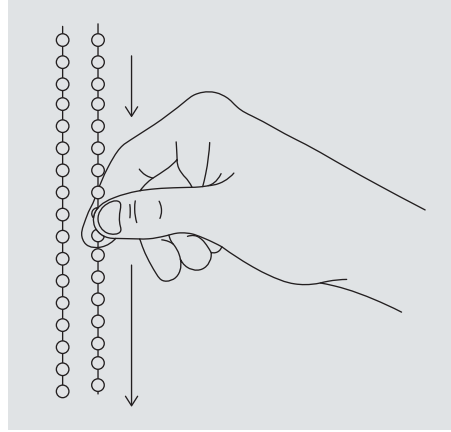
WHEN I PULL THE CONTROL CHAIN THE LOUVRES WON'T TURN

STEP 1



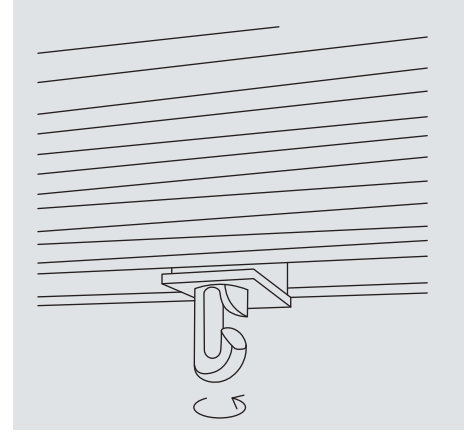
Louvres are jammed/not rotating.

STEP 2



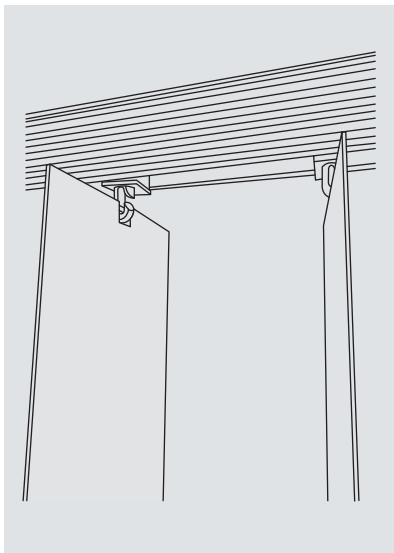
Pull the control chain.

STEP 3



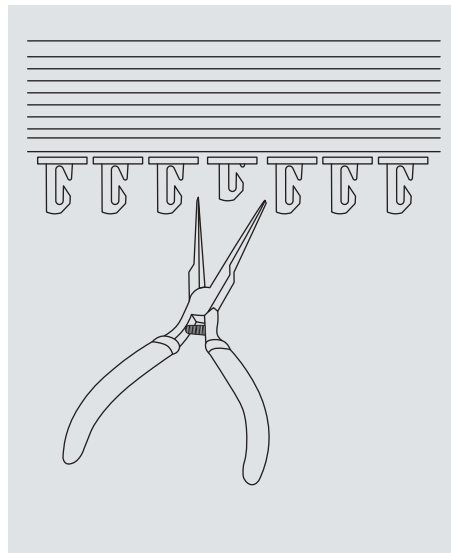
Do runners rotate normally?
If yes, return the runners to the open position and add the louvres.
Pegs should be turned perpendicular to the headrail.

STEP 4



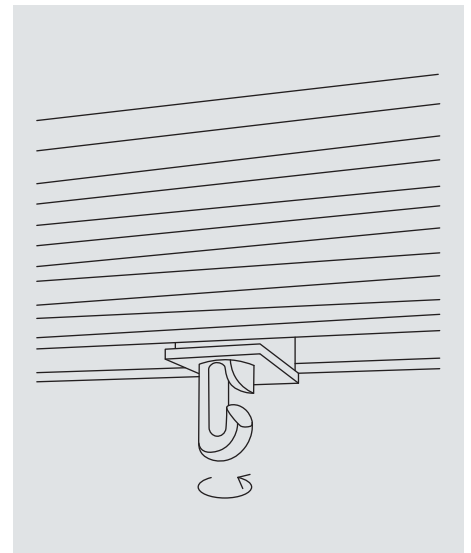
Add the louvres.

STEP 5



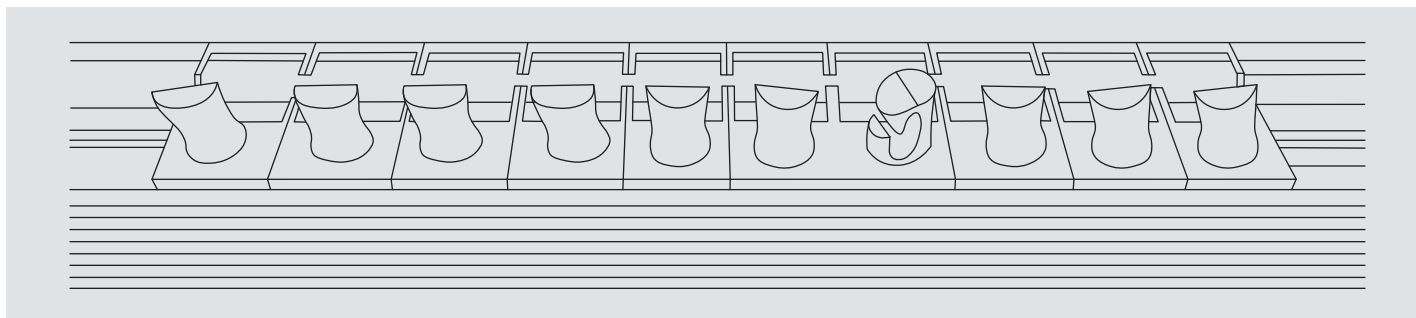
If not, check if any of the pegs within the headrail have been pushed in, if they have, using a pair of pliers, gently pull the pegs back out.

STEP 6

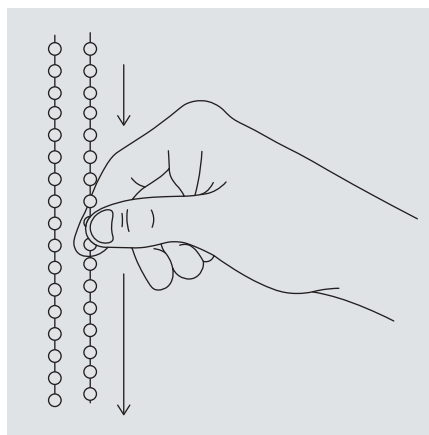


Do the pegs now rotate normally?
If yes, repeat point 3.

WHEN I PULL THE CONTROL CHAIN THE LOUVRES WON'T TURN

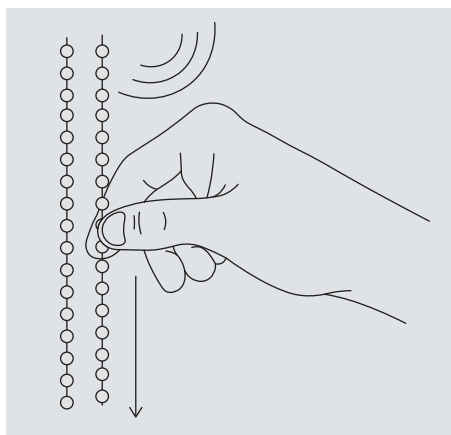


STEP 1



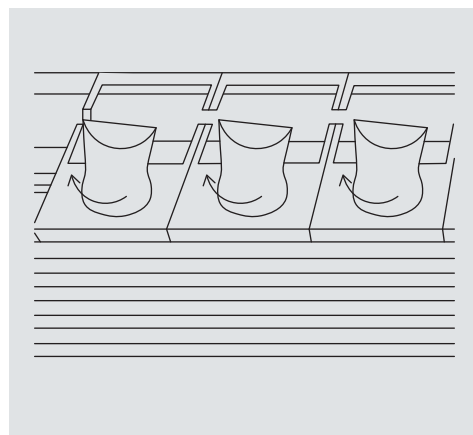
Pull on chain until completely restricted.

STEP 2



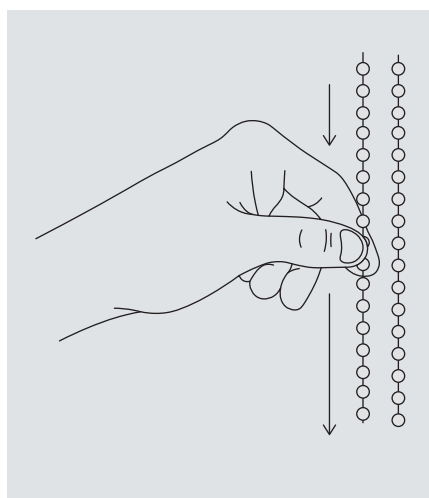
At this point you will need to pull on the chain with force. You will hear a grinding noise - this is normal.

STEP 3



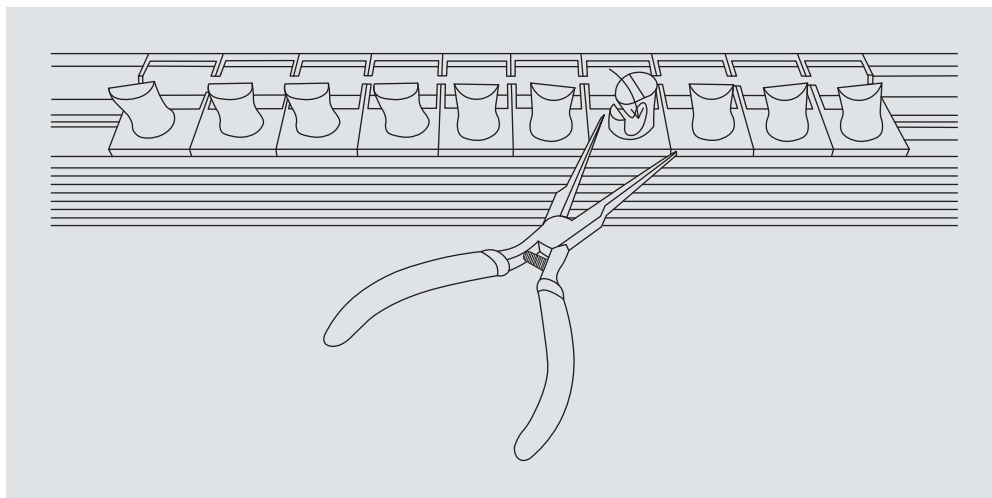
Travellers should start to align.

STEP 4



Repeat step 2 pulling chain in the opposite direction until travellers are fully aligned.

STEP 5



Did this align all the pegs? If not, gently rotate the lazy traveller with a pair of pliers. The traveller will then click into place accordingly.